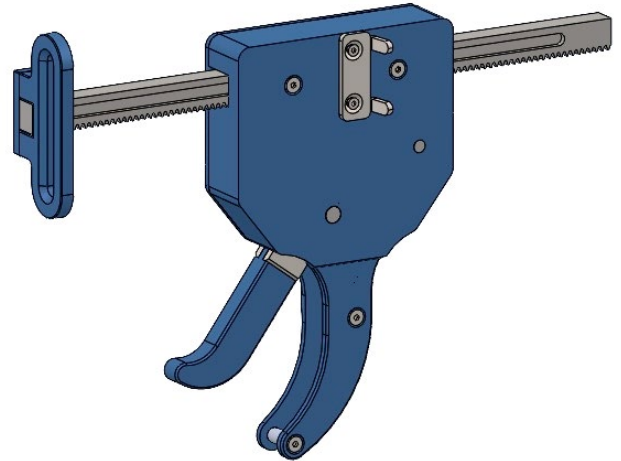


MATERIAL: Anticorodal Aluminium

WEIGHT: 1.7 Kg



CHARACTERISTICS:

- Easy to use
- High containment performance
- Suitable for all size of sleeve and continuous liner
- No need to roll up the plastic film
- Ideal for use with Twin Tie

OPTIONAL:

- | | |
|-------------|----------------------|
| • CNT003639 | Cutting tool |
| • CNT003950 | Tightening Tool Case |
| • CNT003734 | Twin Tie 100 pcs |



PNEUMATIC TIGHTENING TOOL

SPECIFICATIONS

Code	CNT004276
Max tightening force	1.400 N @ 6 bar
Clamps min. opening	120 mm
Clamps max. opening	210 mm
Supported by	Ergonomic handle
Activated by	Push-button / lever
Tool weight	1,9 kg approx.

